

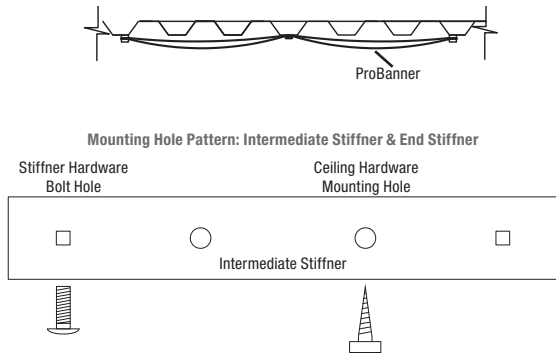
Stiffener Hardware Mounting Detail

Installing ProBanners Using Stiffener Hardware:

- Confirm that each **ProBanner** has one end stiffener at each end.
- Select appropriate fasteners (*not provided by Auralex Acoustics*) to attach the **ProBanner** to the ceiling. To ensure a secure installation to the ceiling, use fasteners of the correct type and weight rating for your ceiling construction. **Auralex ProBanners** typically weigh 15 lbs per 10 ft section. We recommend a 100% safety factor so fasteners rated for at least a 30 lb load should be used. Local building codes should always be consulted to guide your installation.
- Locate the appropriate starting point and fasten one end of the **ProBanner** through the end stiffener. If the **ProBanner** is 120" or less, pull the **ProBanner** to the required drop and fasten the other end through an additional end stiffener. If the **ProBanner** is longer than 120", use intermediate stiffeners, evenly spaced, one for every additional 120".
- Use at least two ceiling fasteners at each stiffener location. For **ProBanners** wider than 24", use three fasteners.

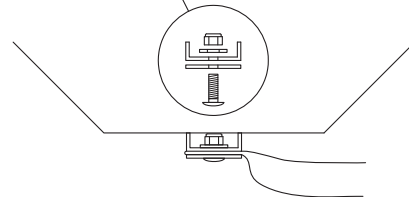
Installing ProBanners Using Painted Washers:

- Confirm that washers are painted to match the **ProBanner** color.
- Select appropriate fasteners (*not provided by Auralex Acoustics*) to attach the **ProBanner** to the ceiling. To ensure a secure installation to the ceiling, use fasteners of the correct type and weight rating for your ceiling construction. **Auralex ProBanners** are typically 15 lbs per 10 ft section. We recommend a 100% safety factor so fasteners rated for at least a 30 lb load should be used. Local building codes should always be consulted to guide your installation.
- Install your ceiling fasteners through the painted washers and gently through the **ProBanners**. The location must be at least 6" from the end of the **ProBanner**.
- At one end (*or middle*) of the **ProBanner**, screw fasteners to the ceiling at the selected attachment points. **NOTE:** Screwing the fastener too tight will create a wrinkled look on the face of the **ProBanner**. Advise installers to use best judgement to properly hold the **ProBanner** while giving a pleasing aesthetic look.
- Use two washers at each installation point.
- Avoid pulling the banner too taut.
- If the installation points are 120" or less apart, the **ProBanner** can be installed with as little as a 6" drop - but no less.
- If your installation points are greater than 120" apart then the drop must be greater than 6".



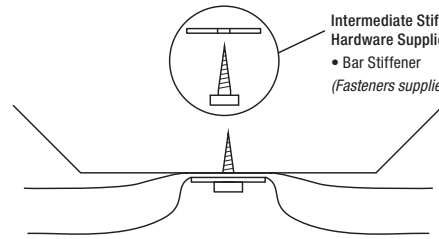
End Stiffeners

- End Stiffener Hardware Supplied:
- Bar Stiffener
 - "C" Channel Stiffener
 - Carriage Bolt
 - Flat Washer
 - Lock Nut



Intermediate Stiffeners

- Intermediate Stiffener Hardware Supplied:
- Bar Stiffener
- (Fasteners supplied by others)



Stiffeners are attached at both ends. Intermediate stiffeners are shipped loose and attached in the field for ProBanners longer than 120".

Painted Washer Mounting Detail

