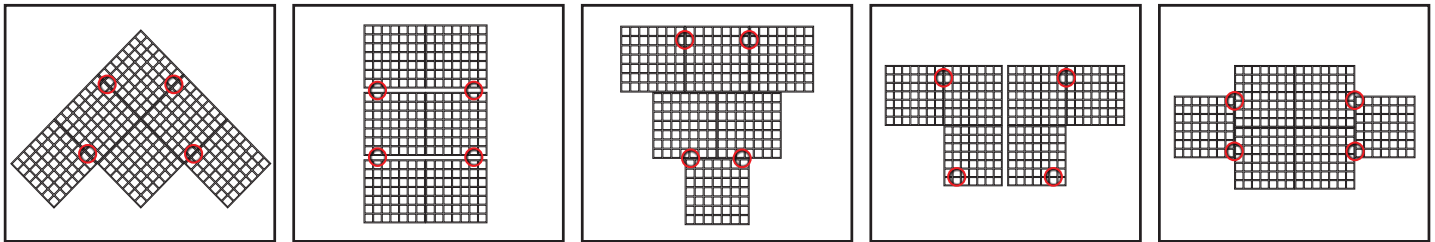


The following instructions are provided to assist you in assembling a number of **Auralex Sustain Lenses** in an overhead cloud configuration. These assemblies are typically flown over a mix or critical listening position.

## ① Suggested Cloud Configurations:

Arrange **Sustain Lens** modules on a soft or carpeted surface in the desired configuration with the ceiling side facing up.



② **Mark & Drill Holes:** Using the supplied template, mark the locations for the supplied connector bolts and drill the holes. To minimize the chance of splitting the Bamboo, we recommend drilling each hole in two steps. Make the initial hole with a 1/4" drill followed by a 3/8" bit to bring the hole to the proper size. We also recommend using sharp or new drill bits for best results. Circled areas in the above illustrations are recommended suspension cable attachment points (see figure 4 for more detail). Your situation may vary.

**Symmetrical Grouping:** Each joining surface between a pair of Sustain Lenses requires a minimum of two connector bolts (see figure 1). Indicate the surfaces of each lens that will be joined to another lens by applying match marks with a small piece of masking tape and a marker. We suggest using a letter and an arrow showing which side is up. Position the template on each of the labeled surfaces and mark the hole locations. Drill the bolt holes using a 1/4" and 3/8" drill bits as described above.

**Staggered Grouping:** Join the pair of lenses marked "A" first, (see figure 2) following the instructions in steps 2 and 3. Position Lens "B" in the desired location offsetting the grid dividers to allow clearance for the connector bolt installation. Mark the hole locations on the top edges of the adjacent Lens frames using masking tape and marker. Align the Template with these marks to indicate exact hole locations and drill 1/4" and 3/8" drill bits as described above.

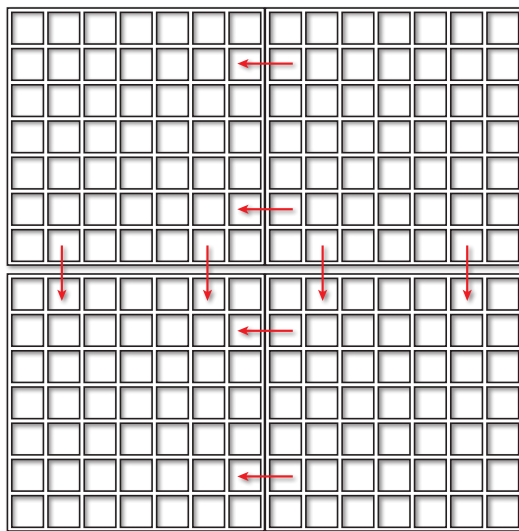


Figure 1

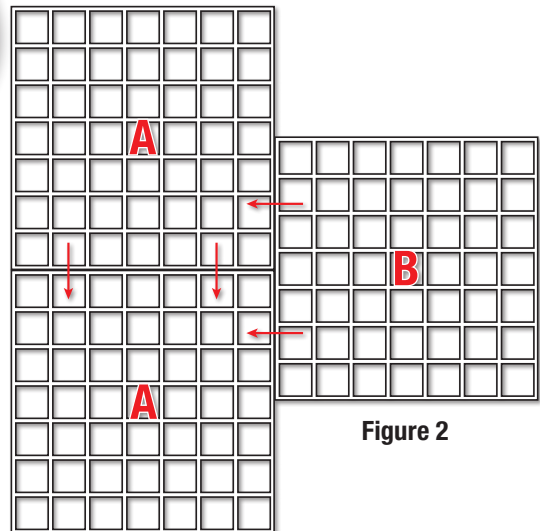
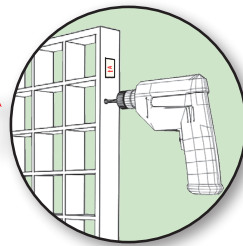


Figure 2

## Included Hardware

| (2) Hex Wrenches | (2) Connector Bolts | (2) Connector Nuts | (1) Cable Assembly |
|------------------|---------------------|--------------------|--------------------|
|                  |                     |                    |                    |

- ③ **Bolt Together:** Prior to assembly, determine which connector bolt pairs will include the suspension cables and assemble per the illustration below. Insert connector nut into hole from inside of **WaveLens** (see figure 4). Line up holes of opposite **WaveLens** and thread the connector bolt in to the connector nut (see figure 3). Secure on both sides with the supplied hex wrenches. **Do not over tighten to avoid splitting the bamboo.** Repeat for each connection

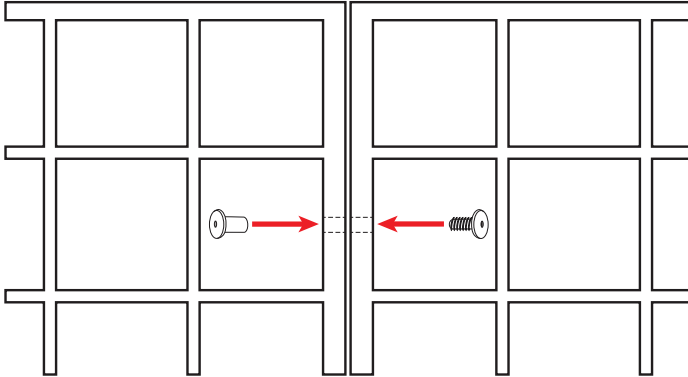


Figure 3

- ④ **Hanging Positions:** Thread the connector nut through the eyelet of the cable assembly and then through the hole in the **WaveLens**. Insert the connector bolt into the matching hole in the adjacent **WaveLens**. Secure on both sides with the supplied hex wrenches.

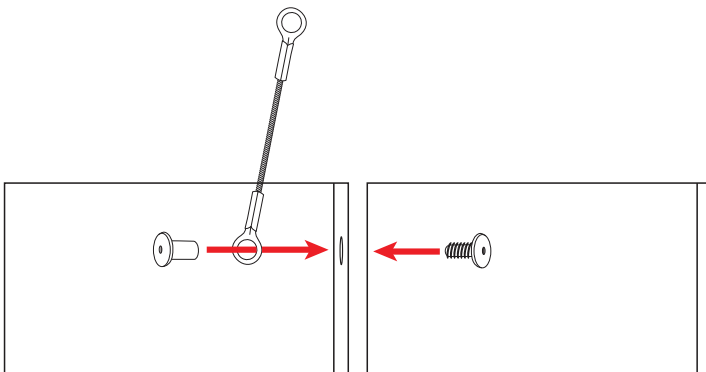


Figure 4

From Right Edge

## DRILL TEMPLATE

Use this to drill your **WaveLens** in the correct place. The drilled hole will be closer to the top edge of the **WaveLens**.

**NOTE:** This template must be printed at 100% to be accurate.

