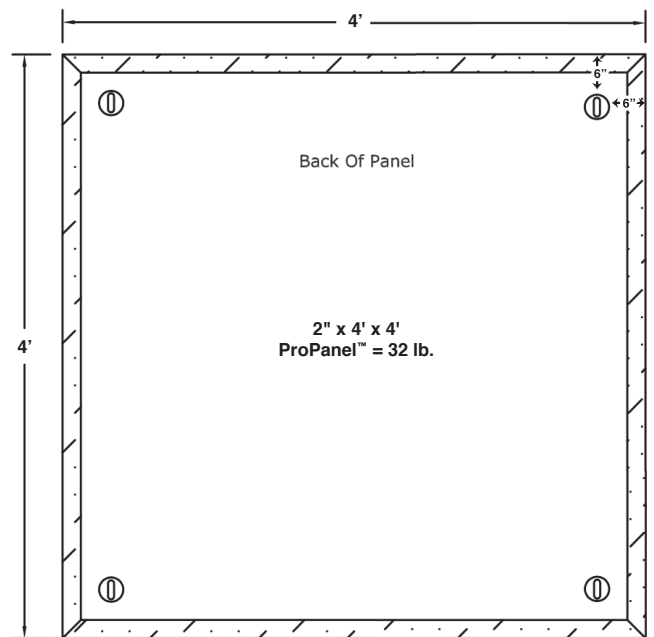
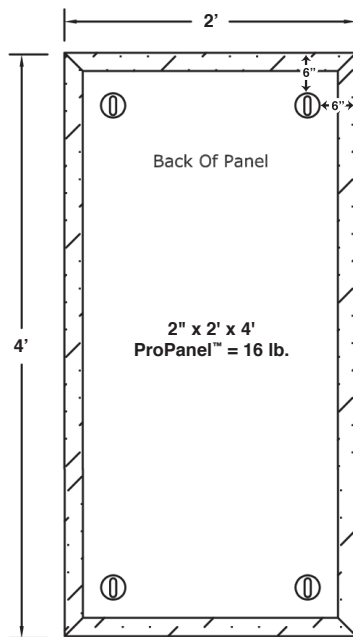
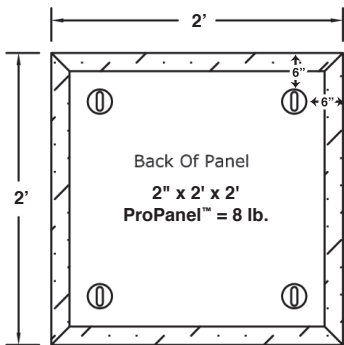
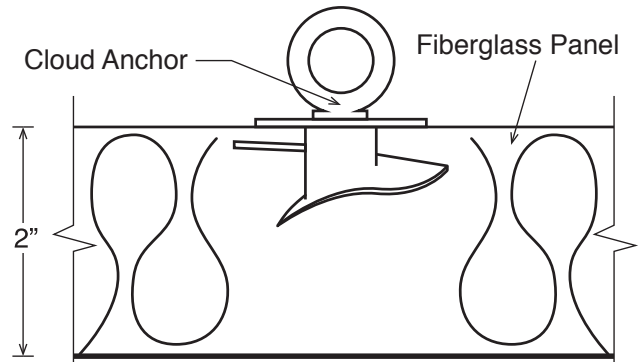


1. Place the **ProPanels** on a clean flat surface, back side up.
2. Review the illustrations below for proper **Cloud Anchor** placement. Do not install fewer **Cloud Anchors** than suggested. All **Cloud Anchors** should be 6" from the **ProPanel** edge and should **only** be used on 2" thick **ProPanels**, 16 sq/ft in area or less.
3. Measure and mark the location of each **Cloud Anchor** on the rear surface of the panel that has exposed fiberglass (*see guide lines in the illustrations below*).
4. Press the **Cloud Anchor** firmly into the marked location and twist clockwise until the top disc of the anchor is flat to the back of the panel. Do not turn the **Cloud Anchor** so the top disc goes into the fiberglass, or you will risk deforming the front of the panel.
5. Using the **Cloud Anchor** ring, attach the panel to ceiling hardware appropriate for the weight of the panel and your ceiling's construction (*user supplied*).



For detail on handling Auralex ProPanels, refer to the ProPanel Installation Guide included with your ProPanels.